

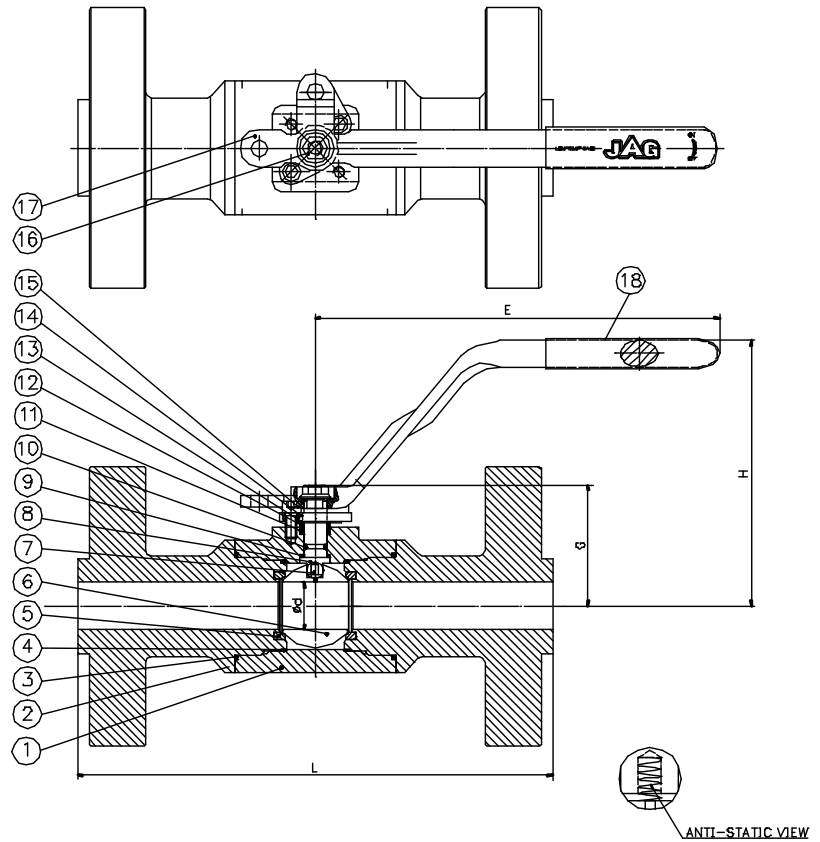


Style T3 Class 1500 Flanged

A105N/LF2 - 3705 PSI
F316SS - 3600 PSI

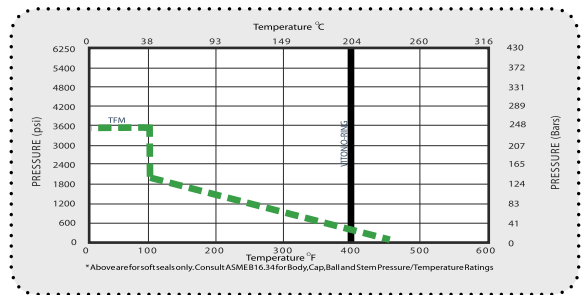
Product Features

- 3 Piece Threaded Body Construction
- Full or Regular Port
- ASME B16.34
- NACE MR0175-2002
- Blowout-Proof Stem
- Anti Static Stem
- ASME B16.10 Face to Face
- Fire Safe to API 607 5TH Edition
- Locking Device
- Forged Body and End Cap
- Dual Stem Seal
- CRN's Available Across Canada



No.	Part	QTY.	ANSI Class 1500#			
			Standard	Standard	Low Temp Nace	Stainless Steel
1	BODY	1	A105N	A105N	A350-LF2	A182-F316
2	CAP	1	A105N	A105N	A350-LF2	A182-F316
3	GASKET	2	GRAPHITE	GRAPHITE	GRAPHITE	GRAPHITE
4	O-RING	2	BUNA	VITON	VITON	TEFLON
5	SEAT	2	TFM	TFM	TFM	TFM
6	BALL	1	304SS	304SS	316SS	316SS
7	ANTI-STATIC SPRING	1	304SS	304SS	304SS	304SS
8	STEM	1	AISI4140ENP	17-4 PH	17-4 PH	17-4 PH
9	THRUST WASHER	1	TFM	TFM	TFM	TFM
10	O-RING	1	BUNA	VITON	VITON	TEFLON
11	PACKING	1	GRAPHITE	GRAPHITE	GRAPHITE	GRAPHITE
12	PACKING FOLLOWER	1	304SS	304SS	304SS	304SS
13	BELLEVILLE WASHER	1	65Mn SPRING STEEL	65Mn SPRING STEEL	65Mn SPRING STEEL	304SS
14	GLAND FLANGE	1	WCB	WCB	WCB	CF8
15	GLAND BOLT	2	A2-70	A2-70	A2-70	B8
16	HANDLE HUT	1	CARBON STEEL PLATED	CARBON STEEL PLATED	CARBON STEEL PLATED	304SS
17	HANDLE	1	#1035 CARBON STEEL	#1035 CARBON STEEL	#1035 CARBON STEEL	CF8
18	GRIP	1	PLASTIC	PLASTIC	PLASTIC	PLASTIC

Size		øD	L(RF)	L(RTJ)	H	E	G
1/2"	FP	12.7	216	216	113	185	43.7
	RP	19	229	229	14.3	215	59.2
3/4"	FP	12.7	229	229	113	185	43.7
	RP	19	254	254	143	215	66.95
1"	FP	25.4	254	254	143	215	59.2
	RP	38	305	305	160.5	255	90.5
1-1/2"	FP	25.4	305	305	143	215	66.95
	RP	50.8	368	371	190	410	125
2"	FP	38	368	371	160.5	255	90.5
	RP	50.8	470	473	190	410	125



We reserve the right to modify dimensions or materials.

JAG flocomponents n.a.

8440 Roper Road
 Edmonton, Alberta T6E 6W4
 Tel: 780-485-2333 Fax: 780-485-2316

PRINTED IN CANADA
 02/01/2007 QTY1000

CAN T31500-1006

