

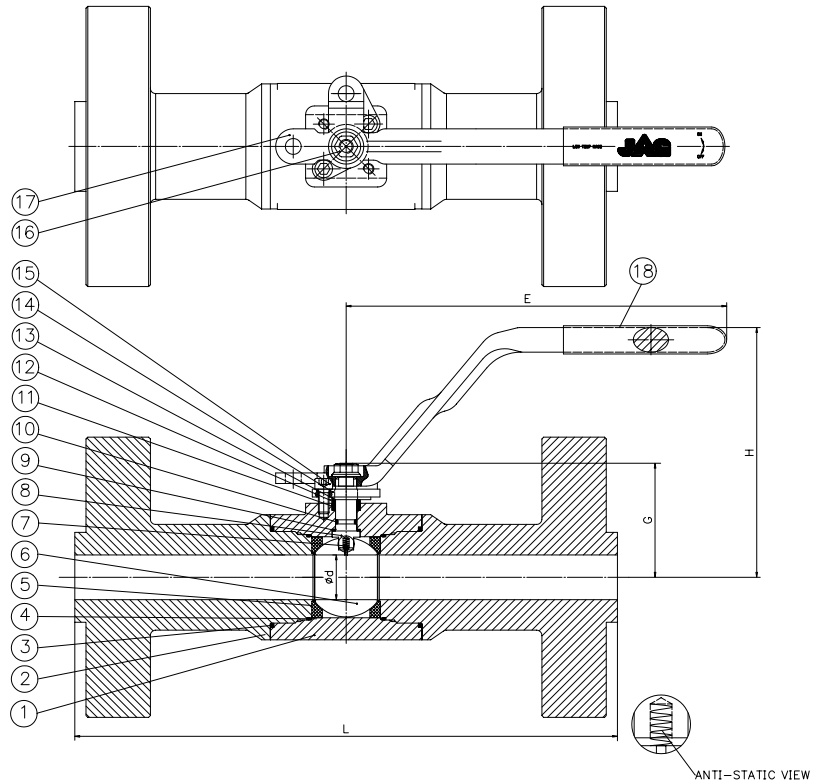


Style T3 Class 2500 Flanged

A105N/LF2 - 6170 PSI
F316SS - 6000 PSI

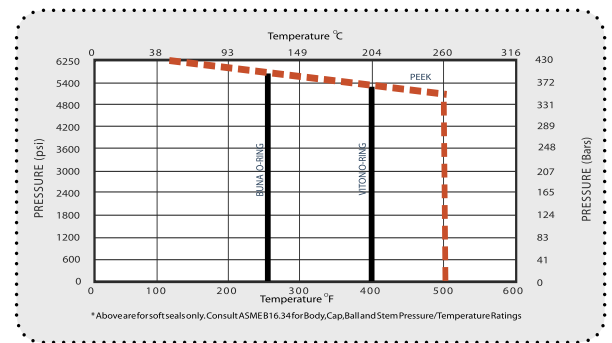
Product Features

- 3 Piece Threaded Body Construction
- Full or Regular Port
- ASME B16.34
- NACE MR0175-2002
- Blowout-Proof Stem
- Anti Static Stem
- ASME B16.10 Face to Face
- Fire Safe to API 607 5TH Edition
- Locking Device
- Forged Body and End Cap
- Dual Stem Seal
- CRN's Available Across Canada



ANSI Class 2500#						
No.	Part	QTY.	Standard	Standard	Low Temp Nace	Stainless Steel
1	BODY	1	A105N	A105N	A350-LF2	A182-F316
2	CAP	2	A105N	A105N	A350-LF2	A182-F316
3	GASKET	2	GRAPHITE	GRAPHITE	GRAPHITE	GRAPHITE
4	O-RING	2	BUNA	VITON	VITON	TEFLON
5	SEAT	2	PEEK	PEEK	PEEK	PEEK
6	BALL	1	17-4 PH	17-4 PH	17-4 PH	17-4 PH
7	ANTI-STATIC SPRING	1	304SS	304SS	304SS	304SS
8	STEM	1	17-4 PH	17-4 PH	17-4 PH	17-4 PH
9	THRUST WASHER	1	PEEK	PEEK	PEEK	PEEK
10	O-RING	1	BUNA	VITON	VITON	TEFLON
11	PACKING	1	GRAPHITE	GRAPHITE	GRAPHITE	GRAPHITE
12	PACKING FOLLOWER	1	304SS	304SS	304SS	304SS
13	BELLEVILLE WASHER	1	65Mn SPRING STEEL	65Mn SPRING STEEL	65Mn SPRING STEEL	304SS
14	GLAND FLANGE	1	WCB	WCB	WCB	CF8
15	GLAND BOLT	2	A2-70	A2-70	A2-70	B8
16	HANDLE HUT	1	CARBON STEEL PLATED	CARBON STEEL PLATED	CARBON STEEL PLATED	304SS
17	HANDLE	1	#1035 CARBON STEEL	#1035 CARBON STEEL	#1035 CARBON STEEL	CF8
18	GRIP	1	PLASTIC	PLASTIC	PLASTIC	PLASTIC

Size		øD	L(RF)	L(RTJ)	H	E	G
1/2"	FP	12.7	264	264	113	185	43.7
	RP	19	273	273	143	215	59.2
3/4"	FP	12.7	273	273	113	185	43.7
	RP	19	308	308	143	215	59.2
1"	FP	25.4	308	308	143	215	66.95
	RP	19	308	308	143	215	59.2
1-1/2"	FP	38	384	387	160.5	255	90.5
	RP	25.4	384	387	143	215	66.95
2"	FP	50.8	451	454	190	410	125
	RP	38	451	454	160.5	255	90.5
3"	RP	50.8	578	584	190	410	125



We reserve the right to modify dimensions or materials.

JAG flocomponents n.a.

8440 Roper Road
 Edmonton, Alberta T6E 6W4
 Tel: 780-485-2333 Fax: 780-485-2316

PRINTED IN CANADA
 02/01/2007 QTY1000

CAN T32500-1006

