

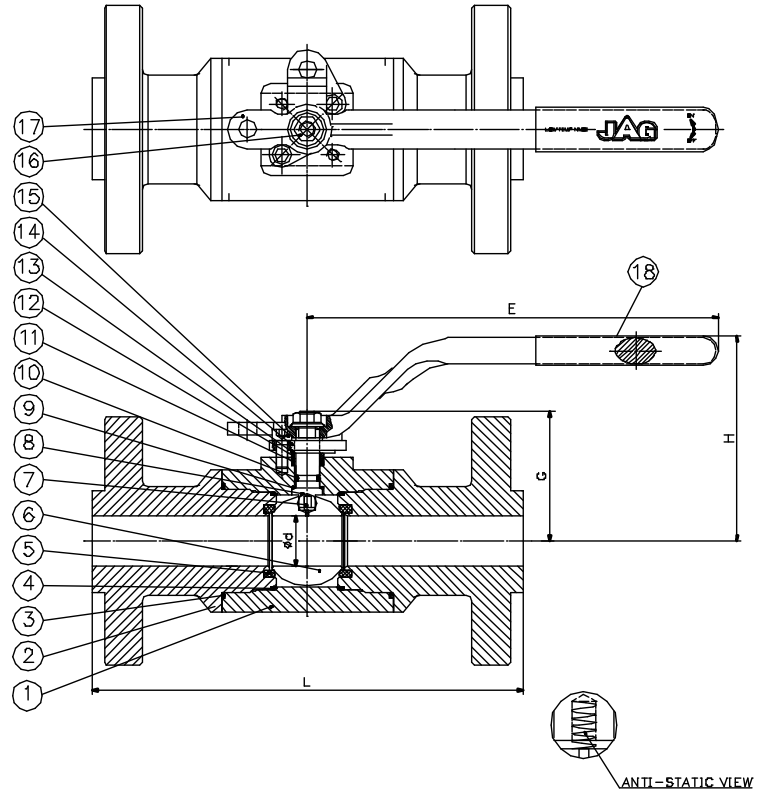


Style T3 Class 600 Flanged

A105N/LF2 - 1480 PSI
F316SS - 1440 PSI

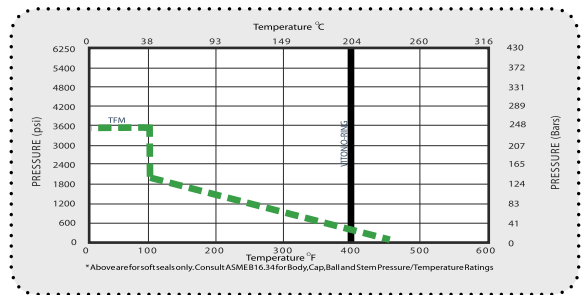
Product Features

- 3 Piece Threaded Body Construction
- Full or Regular Port
- ASME B16.34
- NACE MR0175-2002
- Blowout-Proof Stem
- Anti Static Stem
- ASME B16.10 Face to Face
- Fire Safe to API 607 5TH Edition
- Locking Device
- Forged Body and End Cap
- Dual Stem Seal
- CRN's Available Across Canada



ANSI Class 600#						
No.	Part	QTY.	Standard	Standard	Low Temp Nace	Stainless Steel
1	BODY	1	A105N	A105N	A350-LF2	A182-F316
2	CAP	2	A105N	A105N	A350-LF2	A182-F316
3	GASKET	2	GRAPHITE	GRAPHITE	GRAPHITE	GRAPHITE
4	O-RING	2	BUNA	VITON	VITON	TEFLON
5	SEAT	2	TFM	TFM	TFM	TFM
6	BALL	1	304SS	316SS	316SS	316SS
7	ANTI-STATIC SPRING	1	304SS	304SS	304SS	304SS
8	STEM	1	AISI4140ENP	17-4 PH	17-4 PH	17-4 PH
9	THRUST WASHER	1	TFM	TFM	TFM	TFM
10	O-RING	1	BUNA	VITON	VITON	TEFLON
11	PACKING	1	GRAPHITE	GRAPHITE	GRAPHITE	GRAPHITE
12	PACKING FOLLOWER	1	304SS	304SS	304SS	304SS
13	BELLEVILLE WASHER	1	65Mn SPRING STEEL	65Mn SPRING STEEL	65Mn SPRING STEEL	304SS
14	GLAND FLANGE	1	WCB	WCB	WCB	CFB
15	GLAND BOLT	2	A2-70	A2-70	A2-70	B8
16	HANDLE HUT	1	CARBON STEEL PLATED	CARBON STEEL PLATED	CARBON STEEL PLATED	304SS
17	HANDLE	1	#1036 CARBON STEEL	#1036 CARBON STEEL	#1036 CARBON STEEL	CF8
18	GRIP	1	PLASTIC	PLASTIC	PLASTIC	PLASTIC

Size		øD	L(RF)	L(RTJ)	H	E	G
1/2"	FP	12.7	165	163.5	83.7	165	43.7
3/4"	FP	19	191	191	109.2	215	59.2
	RP	12.7	191	191	83.7	165	43.7
1"	FP	25.4	216	216	116.95	215	66.95
	RP	19	216	216	109.2	215	59.2
1-1/2"	FP	38	241	241	155.5	255	90.5
	RP	25.4	241	241	116.95	215	66.95
2"	FP	50.8	292	295	190	410	125
	RP	38	292	295	155.5	255	90.5
3"	RP	50.8	356	359	190	410	125



We reserve the right to modify dimensions or materials.

JAG flocomponents n.a.

8440 Roper Road
 Edmonton, Alberta T6E 6W4
 Tel: 780-485-2333 Fax: 780-485-2316

PRINTED IN CANADA
 02/01/2007 QTY1000

CAN T3600-1006

